



GKat-FachTisch_TY_EN - 05.05.2009 - www.vs-furniture.com

PRODUCT INFORMATION

Tables: Specialised and computer tables.



(812) 438 0138 (495) 646 0138
mail@bogart.ru www.bogart.ru

ОРГАНИЗАЦИЯ РАБОЧЕГО ПРОСТРАНСТВА
ОСНАЩЕНИЕ ОБЩЕСТВЕННЫХ ЗДАНИЙ



Integra_TY_EN - 09.01.2012 - www.vs-furniture.com

PRODUCT INFORMATION

Integra Computer table.

Frame made of powder-coated tubular steel tube with centre legs on skids with plastic kick protectors. All steel tubes are in flat-oval sections. Desk alternatively available on glide elements, castors or for floor mounting.

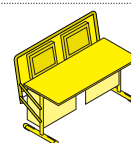
Seating size. Height-adjustable in stages.

Desk top of melamine-resin-coated LIGNOpal chipboard with a seamlessly cast-on polyurethane safety edge.

Equipment and options. Front with hinged and optionally lockable monitor panel for screw-mounted flatscreen monitors. Monitor panel with a gas-filled telescopic strut responding to weight and force. Desk optionally available with an open CPU holder or with a hinged and lockable CPU compartment. Mouse holder and keyboard shelf located in the monitor panel or for single desks under the desk top. Optionally with cable channel for cross-linking and vertical rising channel. Desk top can be removed for the purpose of simple cabling.

Following materials are available: Frame = M1,2; Top LIGNOpal-PU = L2.

Further models illustrated on this page: PantoMove-LuPo.



		2402	2403	2404
Integra	Desk top w-d (Overall d)	75-65(80)	130-65(80)	150-65(80)
	Glide element (castor) h		64, 70, 76 (70, 76)	
	max. monitor w-h-d (weight kg)		44-40-8 (4,0-6,5)	
	max. computer w-h-d (weight kg)		21,5-46-42 (10-12)	
	max. keyboard w-h-d	Monitor panel (plywood shelf)	48-4,5-18,5 (50-5,5-25)	
	max. mouse w-h-d		7-14-3,5	



Ne-Media_TY_EN - 19.12.2011 - www.vs-furniture.com

PRODUCT INFORMATION

**NetWork-Media
Computer table.**

Frame with round-steel tubular legs and four-sided half-oval tubular-steel top frame, both powder-coated. With functional gap between table top and frame to accept accessories and adapters. Table for floor fixing if required.

Frame sizes. In table height of 72 cm or adjustable in height from 68-85 cm.

Table top of melamine-resin coated LIGNOpal chipboard with glued-on (KU) plastic edges.

Features and options. Table with lockable docked-on cable channel. Cable outlet through sealing lip over the full table width. CPU-grid and printer shelf can be docked-on either inside or outside. Vertical cable channel of either solid metal or individually positionable plastic cable clips attached to the leg for cables to floor sockets. Cable channel with four-way power socket. Tables adaptable for linking by means of the cable channel or fixed to the floor if required.

Following materials are available: Frame = M1,2; Top LIGNOpal plastic/beech = L1 (KU).

Further models illustrated on this page: PantoMove-LuPo.

NetWork-Media	d = 70, Total d = 85	21416	21417	21418	21419	21420					
	d = 80, Total d = 95	21411	21412	21413	21414	21415					
	w	120	140	160	180	200	21489	21490	21491		
	h	72(65-85)					Linking set	Cable channel	Cable guide		



Duo-Media_TY_EN - 09.01.2012 - www.vs-furniture.com

PRODUCT INFORMATION

**Duo-Media
Computer table.**

Frame of powder-coated steel tube with set-back double-legs (C-shape) on steel skids with plastic kicking protection. All steel tubes in flat-oval profile. Table suitable for floor fixing if required.

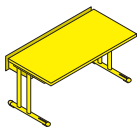
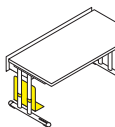
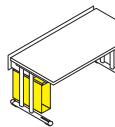
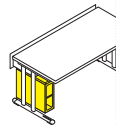
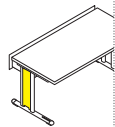
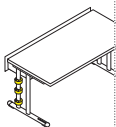
Frame sizes. In table height of 72 cm.

Table top of melamine-resin coated LIGNOpal chipboard with glued-on (KU) plastic edges.

Features. Table top with lockable sliding mechanism (12 cm) for access to the cable channel. Cable outlet through sealing lip over the full table width between top and side panel.

Accessories and options. Perforated-metal vertical cable channel attached without tools between the double legs. Inside solid metal, outside powder-coated perforated metal. Vertical channel can only be opened when the horizontal cable channel is also open. Vertical cable guide consists of 3 plastic cable clips to push-onto the table legs. CPU-angle and CPU-box for fixing to table legs.

Following materials are available: Frame = M1,2; Top LIGNOpal plastic/beech = L2 (KU).

													
Duo-Media	d = 80	21470	21471	21472	21473	21474	21475	21476	21477	21478	21479	21480	
	w	80	90	120	140	160	180						
	h			72									
								CPU-Winkel	CPU-Box	Steigkanal	Kabelführung	Kabelführung	



PC-Training_TY_EN - 20.01.2011 - www.vs-furniture.com

PRODUCT INFORMATION

PC-Training System for computer-based study.

System consists of a triangular 60° wall-module and corresponding tables (2 versions). The wall-module serves as acoustical and visual isolation as well as to accept the computer hardware. For working at the PC, the table can be placed in the triangular wall-module or combined for group work. Placing the elements in rows allows undisturbed individual work but also eye contact to the supervisor.

Wall-module consists of a body with storage shelf (display unit and keyboard) each of veneered or melamine-resin coated LIGNOpal chipboard with glued-on (BU) beech or (KU) plastic edges. Body with perforated-metal element in the middle.

Accessories and options. Cable outlet, cable basket and CPU-holder on the inside of the body.

Table. See the product information on Cross.

Following materials and colours are available: Body: off-white and natural beech veneer. Table frame: arctic. Table top: off-white and natural beech veneer.

Further models illustrated on this page: PantoMove-2K.

			1480	1481	1484
PC-Training	Cross				64(70)(76)
		h			




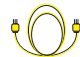
PRODUCT INFORMATION

Electrification for computer tables.

3-way or 5-way power socket with earthing contact, with VDE mark of conformity, 2 plug connections GST18. 2 power sockets of the GST18 system can be linked without further connecting cables.

Power supply cable, with 1 earthing-pin plug and 1 plug connection GST18.

Connecting cable, with 2 plug connections GST18.

							
Electrification		21950	21951	21952	21953	21954	21955
Length				500	300	50	150
Plug connection		2 x GST18		1 x GST18		2 x GST18	
Plug		3 x Schuko	5 x Schuko				
		VDE-test mark					
		Schuko power socket		Connection cable		Interconnection cable	



Duo-Tec_TY_EN - 16.03.2011 - www.vs-furniture.com

PRODUCT INFORMATION

**Duo-Tec
Drawing table.**

Frame of powder-coated steel tube with set-back double legs (C-shape) on steel skids with plastic kicking protection. All steel tubes in flat-oval profile.

Frame size. Table height 76 cm.

Table top of melamine-resin laminated LIGNOpal chipboard with glued-on (KU) plastic edges.

Feature. Fixed horizontal top (2445), with ratchet mechanism for inclining the table top in steps at 0°, 5°, 10° and 16° (2446), with continuous adjustment of the inclination from 0° to 90° (2447).

Accessories and options. Table top with stop-edge, briefcase hook(s), grid bookshelf, storage shelf at the side with water beaker or wire basket, front panel.

Following materials are available: Frame = M1,2; Top LIGNOpal plastic/beech = L (grey white).

Further models illustrated on this page: PantoMove-LuPo.

Duo-Tec			2445	2446	2447
	l-h-p			75-76-60	



Quattro-Textil_TY_EN - 27.11.2009 - www.vs-furniture.com

PRODUCT INFORMATION

Quattro-Textil Special table for textile handicrafts.

Frame of powder-coated oval tubular-steel legs with four-sided rectangular tubular-steel top frame.

Frame sizes. Table heights 72, 74 or 76 cm.

Table top of melamine-resin laminated LIGNOpal chipboard with seamless moulded-on (PU) polyurethane safety edges or glued-on (KU) plastic edges.

Cutting-out table (**2486**) with optional cork linoleum surface, ironing table (**2834**) with heat-resisting Eterplan surface and aluminium edge.

Accessories and options. Sewing machine table (**4414**) with pedestal and "English" drawer for portable sewing-machine

Important notice. PU edges are extremely robust, but can show signs of discoloration over time.

Following materials are available: Frame = M1,2; Top LIGNOpal-PU = L1; Top LIGNOpal plastic/beechn = L1 (KU).

Further models illustrated on this page: PantoMove-LuPo.

					
Quattro-Textil			4414	2846	2834
	w-d		130-65	180-80	127-62
	h			72(74)(76)	



Quattro-Fach_TY_EN - 16.01.2012 - www.vs-furniture.com

PRODUCT INFORMATION

**Quattro
Group table.**

Frame of powder-coated oval tubular-steel legs with four-sided rectangular tubular-steel top frame.

Frame sizes. Table heights 72, 74 or 76 cm.

Table top of melamine-resin laminated LIGNOpal chipboard with seamless moulded-on (PU) polyurethane safety edges or glued-on (KU) plastic edges.

Accessories and options. Glides for hard and soft floors, briefcase hook(s), grid book shelf.

Important notice. PU edges are extremely robust, but can show signs of discoloration over time.

Following materials are available: Frame = M1,2; Top LIGNOpal-PU = L1; Top LIGNOpal plastic/beechn = L1 (KU).

Further models illustrated on this page: PantoSwing-LuPo.

Quattro			2830	2831	2832	2838	2833
	w-d		75-65	130-65	150-65	120-60	130/65-65
	h				72(74)(76)		